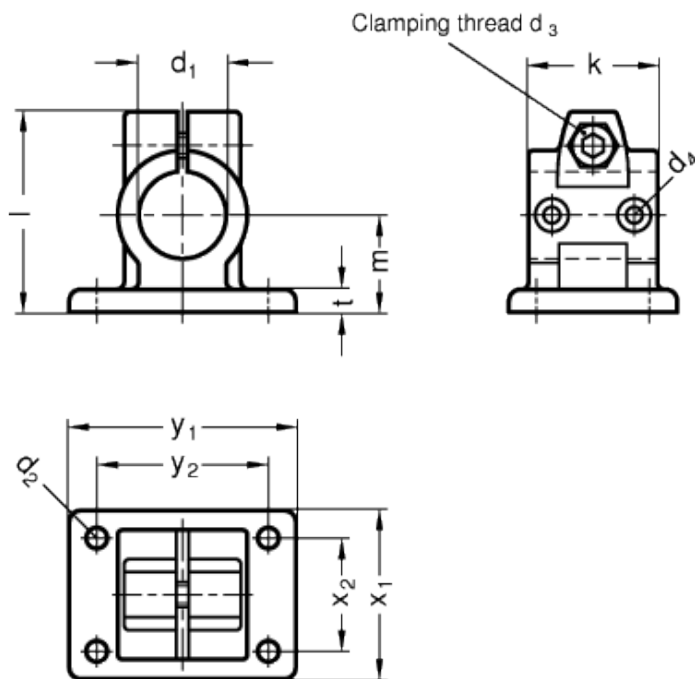
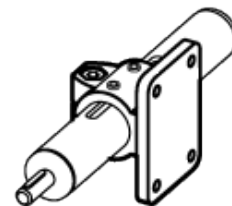
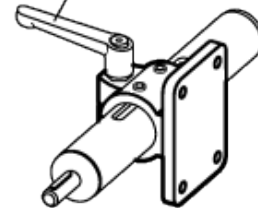


GN 146.1

Connecting clamps with mounting base for linear actuators



Adjustable clamping lever GN 911



technical informations

Material
Aluminium.

Finish

Version SW: RAL 9005 black colour, matte finish, epoxy resin coating.

Clamping screws

Identification no. 2: with AISI 304 stainless steel-clamping screw DIN 912 and nut DIN 985.

Assembly

The standard clamping bolts are socket cap screws DIN 912, supplied assembled. They can be replaced by clamping kits GN 911 (description see table of dimensions).

Features and applications

Linear actuator connectors GN 146.1 are normally supplied only in connection with a mounted linear actuator and for function control.

By means of the clamping screw on the guide bore d_1 the movement can either be set or the linear actuator connector can be clamped (after setting of final adjustment).

Accessories

- Tubings [GN 990](#).
- Clamping kits [GN 911](#) (clamping handles GN 300.1 with distance bushing).
- Linear actuators GN 291 / GN 292.

Standard Elements	Main dimensions														Clamping kits	Weight
Description	d_1 Bore without slider bush	d_1 Bore with slider bush	d_2	d_3	d_4	k	l	m	t	x_1	x_2	y_1	y_2	For d_3	g	
GN 146.1-B30-2-SW	B 30	-	6.5	M 8	M 4	40	62	30	7	52	35	70	53	GN 911-M8-32	155	
GN 146.1-G30-2-SW	-	G 30	6.5	M 8	M 4	40	62	30	7	52	35	70	53	GN 911-M8-32	140	
GN 146.1-B40-2-SW	B 40	-	8.5	M 10	M 5	56	83	42	10	78	52	108	82	GN 911-M10-40	430	
GN 146.1-G40-2-SW	-	G 40	8.5	M 10	M 5	56	83	42	10	78	52	108	82	GN 911-M10-40	400	
GN 146.1-B50-2-SW	B 50	-	11	M 10	M 6	65	95	50	14	92	62	128	98	GN 911-M10-55	675	
GN 146.1-G50-2-SW	-	G 50	11	M 10	M 6	65	95	50	14	92	62	128	98	GN 911-M10-55	625	
GN 146.1-B60-2-SW	B 60	-	11	M 10	M 8	80	112	60	14	110	74	154	118	GN 911-M10-55	1130	
GN 146.1-G60-2-SW	-	G 60	11	M 10	M 8	80	112	60	14	110	74	154	118	GN 911-M10-55	1130	



STANDARD MACHINE ELEMENTS WORLDWIDE